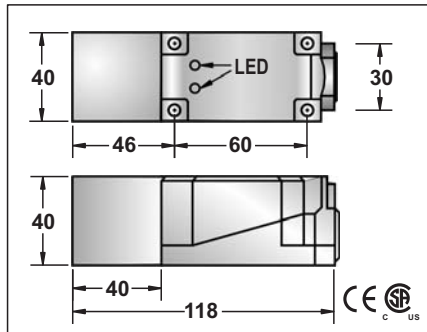


DC CAPACITIVE PROXIMITY SWITCH 5 WAY ROTATABLE SENSING HEAD TYPE

Q40	
●	○
2-30mm (adjustable)	2-40mm (adjustable)
PBT RESIN	
●	



10-30VDC
<10%
<10mA
300mA
<0.01mA
-
-

<0.8VCD/50mA, 2VDC/300mA

100HZ
1.5ms/1.5ms
<15%(Sr)
<5%(Sr)
IP67
-25°C—+70°C
<10%(Sr)
YES
350mA
<25ms

RFI>3V/m / EFT>1KV / ESD>4KV (contact)

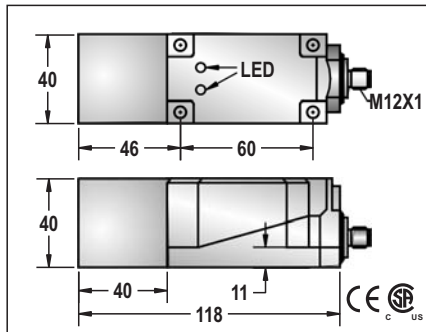
IEC 60947-5-2, Part 7.4.1 / IEC 60947-5-2, Part 7.4.2

PBT

CQP1-4030N-A3U	1	CQP2-4040N-A3U
CQP1-4030N-B3U	2	CQP2-4040N-B3U
CQP1-4030P-A3U	3	CQP2-4040P-A3U
CQP1-4030P-B3U	4	CQP2-4040P-B3U
CQP1-4030P-S4U	6	CQP2-4040P-S4U
CQP1-4030N-S4U	5	CQP2-4040N-S4U

approx.442g

Q40	
●	○
2-30mm (adjustable)	2-40mm (adjustable)
PBT RESIN	
●	



10-30VDC
<10%
<10mA
300mA
<0.01mA
-
-

<0.8VCD/50mA, 2VDC/300mA

100HZ
1.5ms/1.5ms
<15%(Sr)
<5%(Sr)
IP67
-25°C—+70°C
<10%(Sr)
YES
350mA
<25ms

RFI>3V/m / EFT>1KV / ESD>4KV (contact)

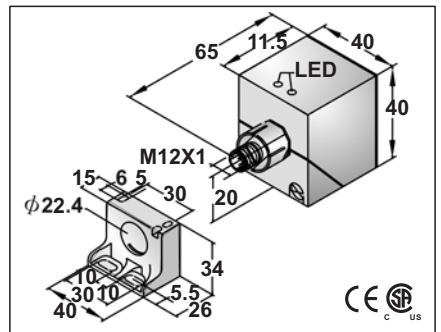
IEC 60947-5-2, Part 7.4.1 / IEC 60947-5-2, Part 7.4.2

PBT

CQP1-4030N-ARU4	33	CQP2-4040N-ARU4
CQP1-4030N-BRU4	34	CQP2-4040N-BRU4
CQP1-4030P-ARU4	35	CQP2-4040P-ARU4
CQP1-4030P-BRU4	36	CQP2-4040P-BRU4
CQP1-4030P-SRU4	38	CQP2-4040P-SRU4
CQP1-4030N-SRU4	37	CQP2-4040N-SRU4

approx.450g

Q40s	
●	○
2-30mm (adjustable)	2-40mm (adjustable)
PBT RESIN	
●	



10-30VDC
<10%
<10mA
300mA
<0.01mA
-
-

<0.8VCD/50mA, 2VDC/300mA

100HZ
1.5ms/1.5ms
<15%(Sr)
<5%(Sr)
IP67
-25°C—+70°C
<10%(Sr)
YES
350mA
<25ms

RFI>3V/m / EFT>1KV / ESD>4KV (contact)

IEC 60947-5-2, Part 7.4.1 / IEC 60947-5-2, Part 7.4.2

PBT

CQP1-4030N-ARS4	33	CQP2-4040N-ARS4
CQP1-4030N-BRS4	34	CQP2-4040N-BRS4
CQP1-4030P-ARS4	35	CQP2-4040P-ARS4
CQP1-4030P-BRS4	36	CQP2-4040P-BRS4
CQP1-4030P-SRS4	38	CQP2-4040P-SRS4
CQP1-4030N-SRS4	37	CQP2-4040N-SRS4

approx.450g

Note:
Coming Soon : Part numbers with underline

